

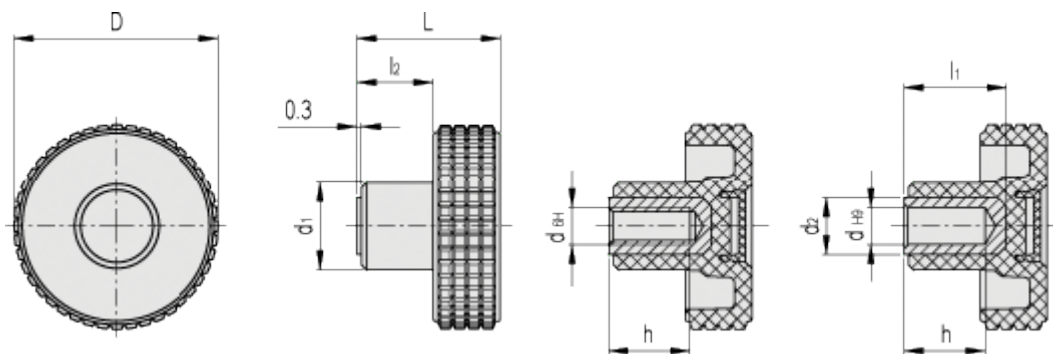
# Data Sheet



Article number: 23020345066

Description: E+G Fingergreb MBT.60-B-10-C6, red centre cap

## Measures



D	= 61	$l_2 = 18.5$
d1	= 23	
d2	= 16	
dH6	= -	
dH9	= 10	
h	= 25	
L	= 39	
l1	= 30	